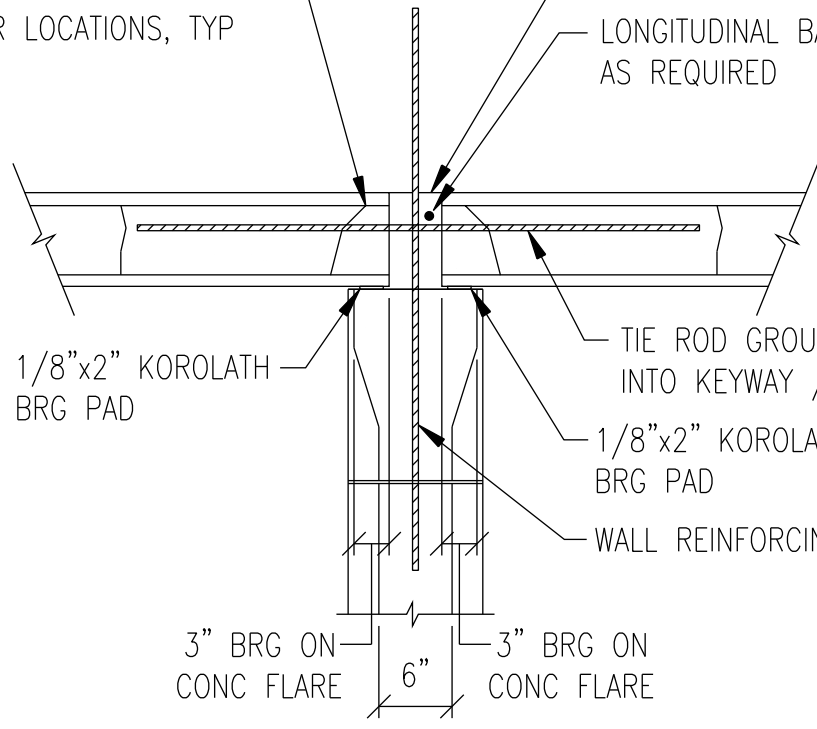


ALSO FILL VOIDS AT
NON-BAR LOCATIONS, TYP

BUTT JOINT 1:3 GROUT

LONGITUDINAL BAR
AS REQUIRED



1/8"x2" KOROLATH
BRG PAD

TIE ROD GROUTED
INTO KEYWAY / VOID

1/8"x2" KOROLATH
BRG PAD

WALL REINFORCING

3" BRG ON
CONC FLARE

3" BRG ON
CONC FLARE

6"

INTERIOR BEARING ON ICF WALL - 6" CORE