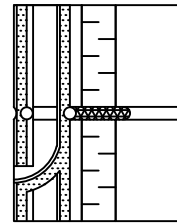
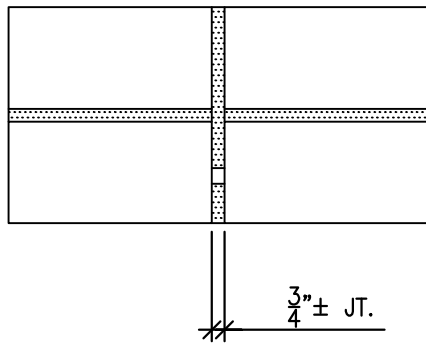


WEEPING DETAIL



TYPICAL PANEL JOINT DETAIL



A Chapter of the
Precast/Prestressed Concrete Institute

CONNECTION TYPES FOR HPC WALLS

TYPICAL PANEL JOINT DETAIL

ISSUE DATE:

DETAIL NO.:

HPW-19