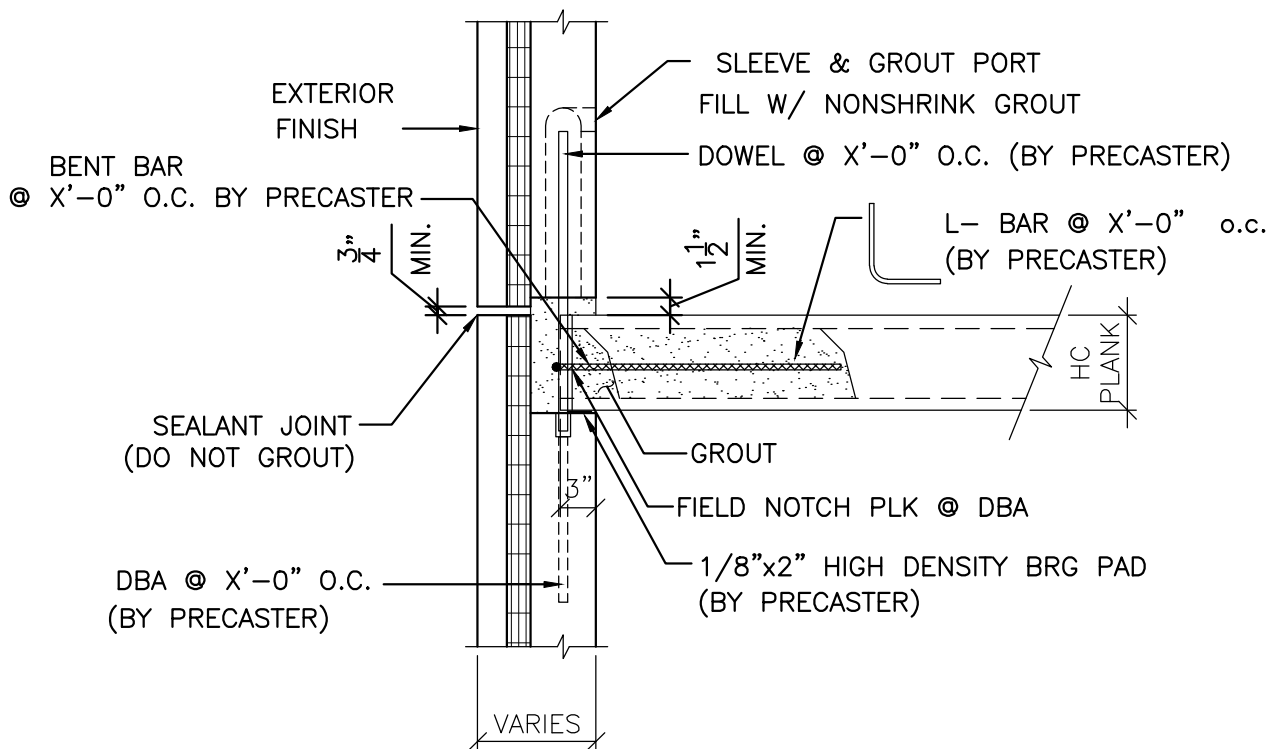


## LOAD-BEARING PLANK-WALL CONNECTION



## LOAD BEARING WALL-WALL



A Chapter of the  
Precast/Prestressed Concrete Institute

CONNECTION TYPES FOR HPC WALLS

LOAD BEARING PLANK-WALL

ISSUE DATE:

DETAIL NO.:

HPW-11