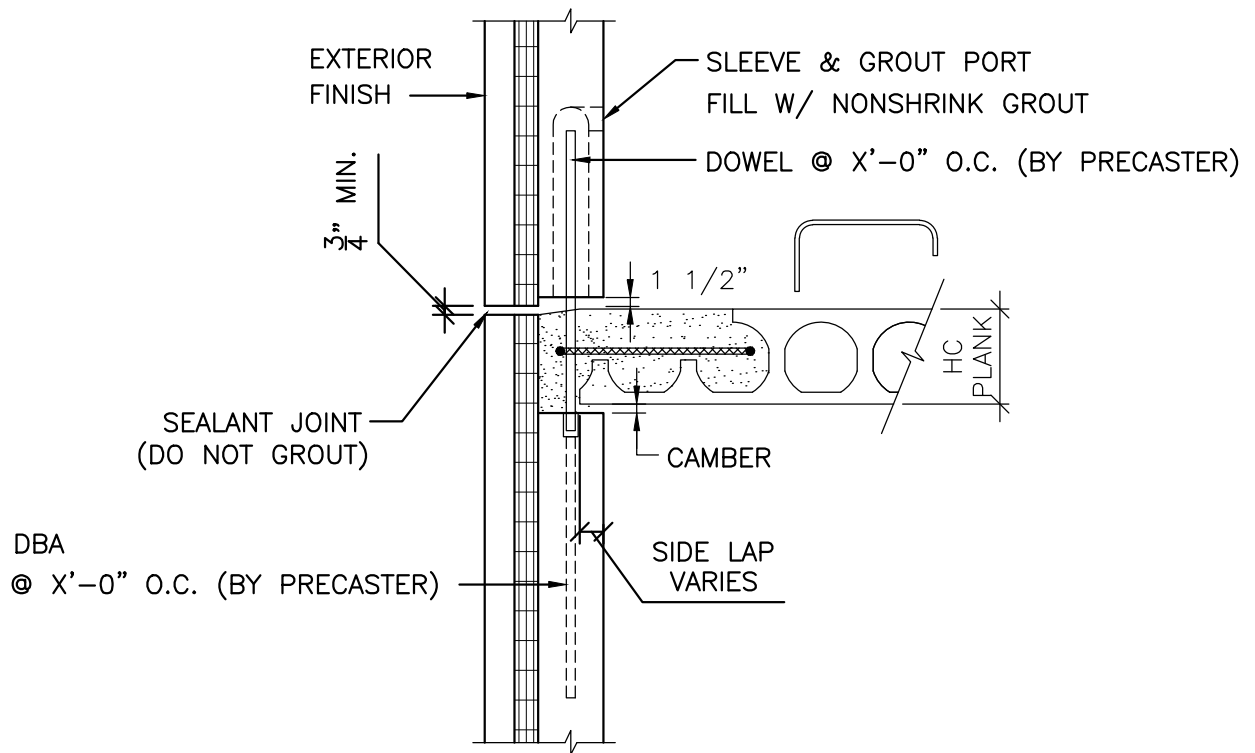


NON-LOAD BEARING PLANK-WALL



NON-LOAD BEARING PLANK-WALL



A Chapter of the
Precast/Prestressed Concrete Institute

CONNECTION TYPES FOR HPC WALLS

NON-LOAD BEARING PLANK- WALL

ISSUE DATE:

DETAIL NO.:

HPW-10