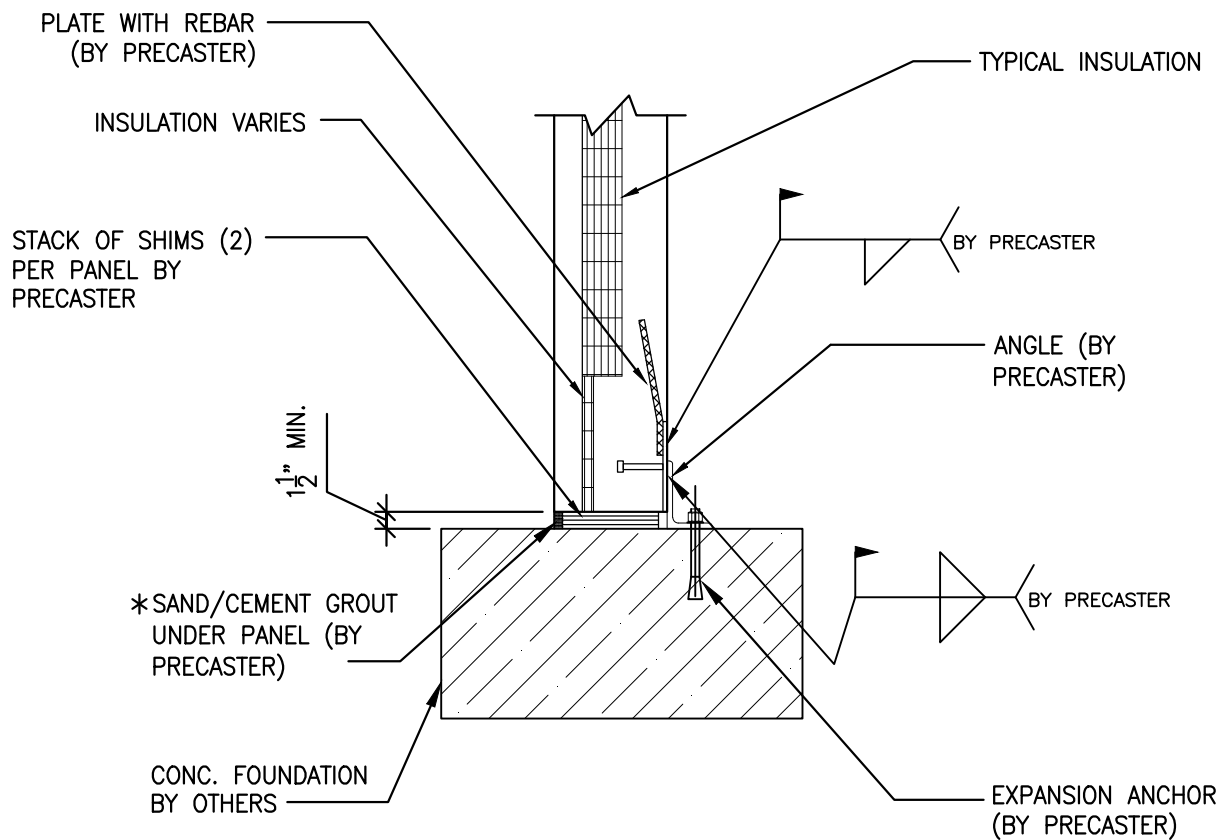


**ERECTOR NOTE:**  
 FOLLOW MANUFACTURERS  
 SPECIFICATIONS FOR INSTALLATION  
 OF EXPANSION ANCHORS



## BASE CONNECTION

- \*BASE GROUTING:**
- PANELS SUPPORTING GIRDERS: FULL PANEL THICKNESS GROUT
  - NON LOAD BRG. PANELS: SEALANT EACH FACE



A Chapter of the  
 Precast/Prestressed Concrete Institute

CONNECTION TYPES FOR HPC WALLS

BASE CONNECTION

ISSUE DATE:

DETAIL NO.:

**HPW-1**