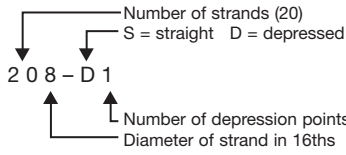


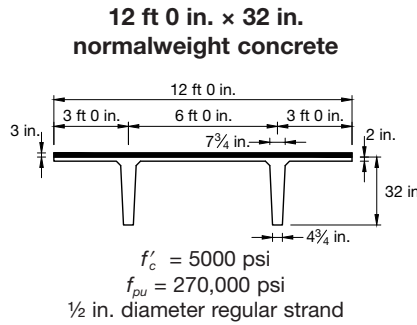
3.4 Double-Tee Load Tables (cont.)

Strand Pattern Designation



Load capacities shown include dead load of 10 lb/ft² for untopped members and 15 lb/ft² for topped members. Remainder is live load. Long-time cambers include superimposed dead load but do not include live load.

Key
 196 – Superimposed service load capacity, lb/ft²
 0.9 – Estimated camber at erection, in.
 1.2 – Estimated long-time camber, in.



Section Properties	
No topping	3 in. topping (f'c = 3000 psi)
A =	663 in. ²
I =	63,362 in. ⁴
y _b =	22.63 in.
y _t =	9.37 in.
S _b =	2800 in. ³
S _t =	6761 in. ³
wt =	691 lb/ft
DL =	58 lb/ft ²
V/S =	1.63 in.

Check with regional producers for availability.

12DT32
No topping

Table of superimposed service load capacity, lb/ft², and cambers, in.

Strand pattern	y _s (end) y _s (center), in.	Span, ft																													
		40	42	44	46	48	50	52	54	56	58	60	62	64	66	68	70	72	74	76	78	80	82	84	86	88	90	92	94	96	
128-S	7.00	196	175	156	139	124	111	100	90	80	72	69	58	52	46	41	37	32													
	7.00	0.9	0.9	1.0	1.0	1.1	1.1	1.1	1.1	1.1	1.1	1.1	1.1	1.1	1.1	1.1	1.1	0.9	0.8	0.7	0.7										
148-S	8.00	199	178	160	143	129	116	104	94	84	76	70	62	56	51	46	41	36	32												
	8.00	1.0	1.1	1.2	1.2	1.3	1.3	1.3	1.4	1.4	1.4	1.4	1.4	1.3	1.2	1.1	1.1	1.0	0.8	0.8											
168-S	9.00	198	178	160	144	130	118	106	97	88	80	72	65	59	54	48	44	39	35	29											
	9.00	1.2	1.3	1.3	1.4	1.5	1.5	1.6	1.6	1.6	1.6	1.6	1.6	1.5	1.5	1.4	1.3	1.2	1.0	0.8	0.8										
188-S	10.00	193	174	157	142	128	116	106	97	88	80	73	66	60	54	49	44	38	34	29											
	10.00	1.4	1.5	1.6	1.6	1.7	1.7	1.7	1.7	1.7	1.7	1.7	1.6	1.6	1.5	1.4	1.3	1.2	1.0	0.8	0.8										
208-D1	15.50	143	131	118	109	99	92	84	76	70	65	59	54	49	43	40	37	33	29												
	4.25	2.6	2.7	2.7	2.8	2.8	2.8	2.8	2.8	2.8	2.8	2.8	2.8	2.7	2.6	2.5	2.4	2.2	2.1	1.9	1.6	1.3	1.0								
228-D1	16.41	110	100	91	85	76	71	65	60	54	50	46	41	37	34	30															
	4.50	3.1	3.1	3.1	3.1	3.0	3.0	3.0	2.9	2.9	2.9	2.9	2.9	2.9	2.9	2.9	2.9	2.9	2.9	2.9	2.9	2.9	2.9	2.9	2.9	2.9	2.9	2.9	2.9	2.9	2.9

12DT32 + 3

Table of superimposed service load capacity, lb/ft², and cambers, in.

Strand pattern	y _s (end) y _s (center), in.	Span, ft																												
		40	42	44	46	48	50	52	54	56	58	60	62	64	66	68	70	72	74	76	78	80	82	84						
128-S	7.00	196	171	150	131	114	106	90	77	67	58	49	42	34	26															
	7.00	0.9	1.0	1.0	1.1	1.1	1.2	1.2	1.2	1.2	1.2	1.2	1.1	1.0	1.0	0.8	0.8	0.8	0.7	0.7	0.6	0.5	0.4	0.3	0.1	-0.1	-0.3	-0.8	-1.3	
148-S	8.00	200	177	155	136	121	107	94	82	72	61	50	41	32	24															
	8.00	1.1	1.2	1.2	1.3	1.3	1.3	1.4	1.4	1.4	1.4	1.4	1.4	1.4	1.4	1.3	1.2	1.1	1.0	0.9	0.8	0.7	0.5	0.4	0.2	0.0	-0.3	-0.6	-1.1	
168-S	9.00	198	175	155	137	121	107	94	82	71	61	51	40	32	24															
	9.00	1.2	1.4	1.4	1.5	1.5	1.6	1.6	1.6	1.6	1.6	1.6	1.5	1.5	1.4	1.3	1.2	1.1	1.0	0.9	0.8	0.7	0.5	0.3	0.0	-0.3	-0.7	-1.2		
188-S	10.00	194	172	154	135	118	106	92	79	68	58	48	39	30	23															
	10.00	1.4	1.5	1.5	1.5	1.6	1.6	1.7	1.7	1.7	1.7	1.7	1.7	1.6	1.6	1.5	1.4	1.3	1.2	1.1	1.0	0.9	0.8	0.6	0.5	0.2	-0.1	-0.5	-0.8	-1.7
208-D1	15.50	134	118	106	95	82	70	62	54	46	38	31	25																	
	4.25	2.5	2.5	2.6	2.6	2.7	2.7	2.7	2.7	2.7	2.7	2.7	2.7	2.7	2.7	2.7	2.7	2.7	2.7	2.7	2.7	2.7	2.7	2.7	2.7	2.7	2.7	2.7	2.7	2.7
228-D1	16.41	92	82	72	62	53	45	38	32	26																				
	4.50	3.0	3.1	3.1	3.1	3.0	3.0	2.9	2.8	2.7	2.7	2.7	2.7	2.7	2.7	2.7	2.7	2.7	2.7	2.7	2.7	2.7	2.7	2.7	2.7	2.7	2.7	2.7	2.7	2.7

Strength is based on strain compatibility; bottom tension is limited to 12 √f'c; see pages 3–8 through 3–11 for explanation. Shaded values require release strengths higher than 3500 psi.