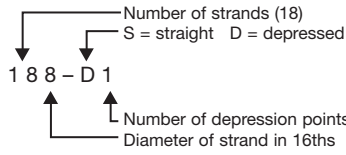


3.4 Double-Tee Load Tables (cont.)

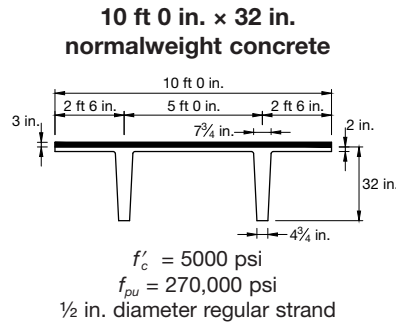
Strand Pattern Designation



Load capacities shown include dead load of 10 lb/ft² for untopped members and 15 lb/ft² for topped members. Remainder is live load. Long-time cambers include superimposed dead load but do not include live load.

Key
 189 – Superimposed service load capacity, lb/ft²
 1.1 – Estimated camber at erection, in.
 1.4 – Estimated long-time camber, in.

Check with regional producers for availability.



Section Properties	
No topping	3 in. topping (f'c = 3000 psi)
A =	615 in. ²
I =	59,720 in. ⁴
y _b =	21.98 in.
y _t =	10.02 in.
S _b =	2718 in. ³
S _t =	5958 in. ³
wt =	641 lb/ft
DL =	64 lb/ft ²
V/S =	1.72 in.

10DT32
No topping

Table of superimposed service load capacity, lb/ft², and cambers, in.

Strand pattern	y _s (end) y _s (center), in.	Span, ft																														
		44	46	48	50	52	54	56	58	60	62	64	66	68	70	72	74	76	78	80	82	84	86	88	90	92	94	96	98	100		
128-S	7.00	189	169	152	136	123	110	99	90	81	73	65	59	53	47	42	37	33	29	25												
	7.00	1.1	1.2	1.2	1.3	1.3	1.3	1.3	1.3	1.2	1.2	1.1	1.0	0.9	0.8	0.7	0.6	0.3	0.2													
148-S	8.00		194	174	157	142	128	116	105	95	86	78	71	64	58	52	47	42	38	34	30	26										
	8.00		1.2	1.3	1.3	1.4	1.5	1.5	1.5	1.5	1.5	1.4	1.3	1.3	1.2	1.0	0.9	0.8	0.6	0.4	0.2											
168-S	9.00			194	175	158	144	130	118	108	98	89	81	74	67	61	55	50	44	38	33	29	25									
	9.00			1.4	1.5	1.6	1.7	1.7	1.7	1.7	1.6	1.6	1.5	1.5	1.4	1.2	1.1	1.0	0.9	0.7	0.5	0.2										
188-S	10.00				194	175	158	144	130	118	108	98	89	81	74	67	61	55	50	44	38	33	29	25								
	10.00				1.6	1.6	1.6	1.7	1.7	1.7	1.8	1.8	1.8	1.7	1.6	1.5	1.4	1.4	1.3	1.1	0.9	0.7	0.4	0.1								
188-D1	14.39																															
	4.00																															
208-D1	15.50																															
	4.25																															

10DT32 + 3
3 in. normalweight topping

Table of superimposed service load capacity, lb/ft², and cambers, in.

Strand pattern	y _s (end) y _s (center), in.	Span, ft																														
		44	46	48	50	52	54	56	58	60	62	64	66	68	70	72	74	76	78	80	82	84	86									
128-S	7.00	188	166	146	129	114	100	88	77	67	58	46	36	26																		
	7.00	1.0	1.1	1.1	1.2	1.2	1.2	1.2	1.3	1.3	1.3	1.2	1.1	1.1																		
148-S	8.00		193	171	152	135	120	106	94	83	71	59	48	38	30	24																
	8.00		1.2	1.3	1.3	1.3	1.4	1.5	1.6	1.6	1.5	1.5	1.4	1.3	1.2																	
168-S	9.00			194	174	155	139	123	107	93	80	69	58	48	38	28	23															
	9.00			1.4	1.5	1.6	1.6	1.6	1.7	1.7	1.7	1.7	1.6	1.5	1.4	1.4																
188-S	10.00				191	170	152	136	118	104	90	77	66	55	44	35	29	21														
	10.00				1.6	1.6	1.7	1.7	1.8	1.8	1.8	1.8	1.8	1.7	1.7	1.6	1.5	1.4														
188-D1	14.39																															
	4.00																															
208-D1	15.50																															
	4.25																															

Strength is based on strain compatibility; bottom tension is limited to 12 √f'c; see pages 3–8 through 3–11 for explanation. Shaded values require release strengths higher than 3500 psi.