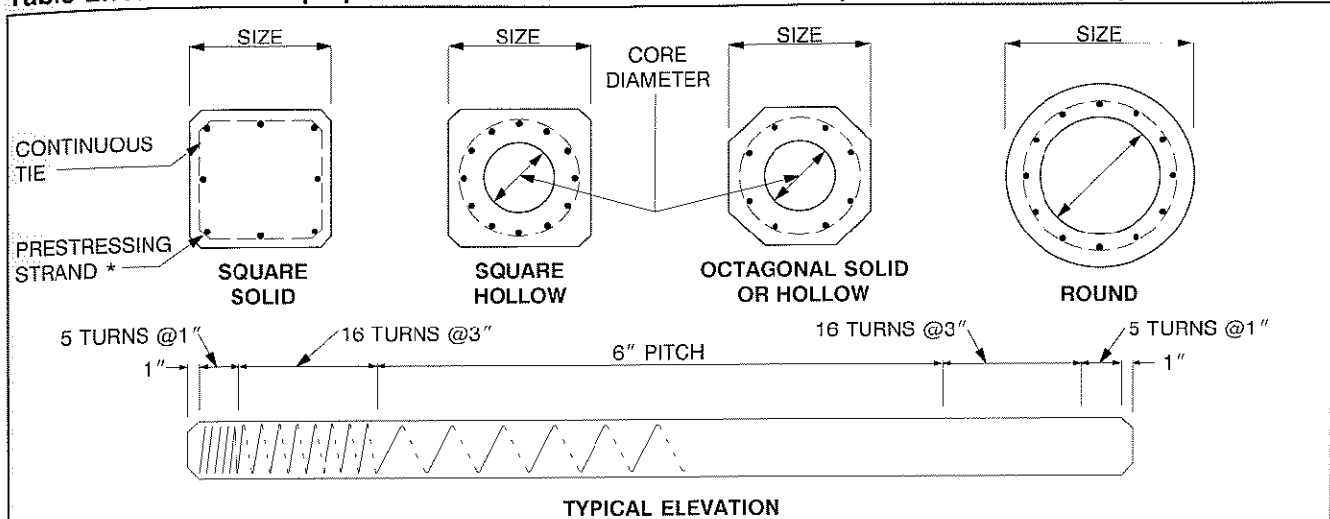


PILES

Table 2.7.1 Section properties and allowable service loads of prestressed concrete piles



* Strand pattern may be circular or square.

SIZE (in.)	CORE DIA. (in.)	SECTION PROPERTIES ^a						ALLOWABLE CONCENTRIC SERVICE LOADS, tons ^b			
		AREA (in ²)	WEIGHT (pff)	MOMENT OF INERTIA (in ⁴)	SECTION MODULUS (in ³)	RADIUS OF GYRATION (in.)	PERI-METER (in.)	f_c			
								5000	6000	8000	10,000
SQUARE PILES											
10	SOLID	100	104	833	167	2.89	3.33	73	89	122	156
12	SOLID	144	150	1,728	288	3.46	4.00	105	129	176	224
14	SOLID	196	204	3,201	457	4.04	4.67	143	175	240	305
16	SOLID	256	267	5,461	683	4.62	5.33	187	229	314	398
18	SOLID	324	338	8,748	972	5.20	6.00	236	290	397	504
20	SOLID	400	417	13,333	1,333	5.77	6.67	292	358	490	622
20	11	305	318	12,615	1,262	6.43	6.67	222	273	373	474
24	SOLID	576	600	27,648	2,304	6.93	8.00	420	515	705	896
24	12	463	482	26,630	2,219	7.58	8.00	338	414	567	720
24	14	422	439	25,762	2,147	7.81	8.00	308	377	517	656
24	15	399	415	25,163	2,097	7.94	8.00	291	357	488	621
30	18	646	672	62,347	4,157	9.82	10.00	471	578	791	1005
36	18	1,042	1,085	134,815	7,490	11.38	12.00	761	933	1,276	1,621
OCTAGONAL PILES											
10	SOLID	83	85	555	111	2.59	2.76	60	74	101	129
12	SOLID	119	125	1,134	189	3.09	3.31	86	106	145	185
14	SOLID	162	169	2,105	301	3.60	3.87	118	145	198	252
16	SOLID	212	220	3,592	449	4.12	4.42	154	189	259	330
18	SOLID	268	280	5,705	639	4.61	4.97	195	240	328	417
20	SOLID	331	345	8,770	877	5.15	5.52	241	296	405	515
20	11	236	245	8,050	805	5.84	5.52	172	211	289	367
22	SOLID	401	420	12,837	1,167	5.66	6.08	292	359	491	624
22	13	268	280	11,440	1,040	6.53	6.08	195	240	328	417
24	SOLID	477	495	18,180	1,515	6.17	6.63	348	427	584	742
24	15	300	315	15,696	1,308	7.23	6.63	219	268	368	467
ROUND PILES											
36	26	487	507	60,007	3,334	11.10	9.43	355	436	596	758
42	32	581	605	101,273	4,823	13.20	11.00	424	520	712	904
48	38	675	703	158,222	6,592	15.31	12.57	493	604	827	1,050
54	44	770	802	233,373	8,643	17.41	14.14	562	689	943	1,198
66	54	1,131	1,178	514,027	15,577	21.32	17.28	826	1,013	1,386	1,759

a. Form dimensions may vary with producers with corresponding variations in section properties.

b. Allowable loads based on $N = A_g(0.33f_c - 0.27f_{pc})$; $f_{pc} = 700$ psi. Check local producer for available concrete strengths.