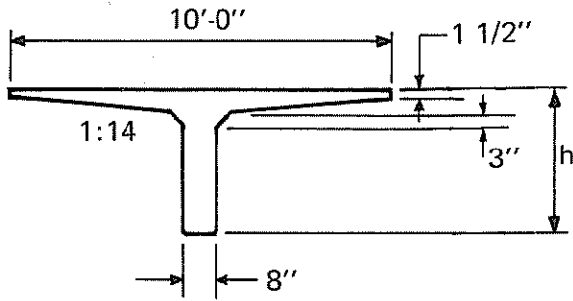


# SINGLE TEE TYPE "B" LOAD TABLE

10' - 0" Wide  
Normal Weight Concrete



Section Properties							
Designation	h (in.)	A (in. <sup>2</sup> )	I (in. <sup>4</sup> )	y <sub>b</sub> (in.)	Z <sub>b</sub> (in. <sup>3</sup> )	Z <sub>t</sub> (in. <sup>3</sup> )	wt (plf)
10ST24	24	590	22,914	18.73	1223	4348	615
10ST28	28	622	36,005	21.67	1662	5688	648
10ST32	32	654	53,095	24.51	2166	7089	681
10ST36	36	686	74,577	27.27	2735	8543	715
10ST40	40	718	100,819	29.97	3364	10,052	748
10ST44	44	750	132,171	32.61	4053	11,604	781
10ST48	48	782	168,968	35.19	4802	13,190	815

### Key

- 36 – Safe superimposed load, psf *long term*
- 0.86 – Anticipated ~~initial~~ camber, in.
- 1.58 – Deflection due to superimposed load shown, in.

Table of Safe Superimposed Loads, Cambers and Deflections

No Topping

Designation	No. Strand	e <sub>e</sub> e <sub>c</sub>	Span, ft.																		
			58	60	62	64	66	68	70	72	74	76	78	80	82	84	86	88	90	92	
10ST24	14	4.73 15.23	59	51	44	37	31	26													
			1.48	1.37	1.22	1.00	0.68	0.31													
			1.53	1.52	1.49	1.44	1.38	1.29													
10ST28	16	5.67 17.92				61*	54	48	41			36	30	26							
						1.60	1.49	1.34	1.14	0.86	0.51	0.12									
						1.71	1.71	1.68	1.64	1.58	1.50	1.41									
10ST32	18	6.29 20.51									62*	56	50	44			38	33	29		
												1.63	1.51	1.35	1.15	0.86	0.53	0.15			
												1.87	1.86	1.83	1.79	1.74	1.67	1.58			
10ST36	20	6.87 23.02												69*	63	57	51	45	40	35	
															1.73	1.62	1.48	1.30	1.09	0.79	0.46
															2.01	2.02	2.00	1.97	1.92	1.87	1.80

Designation	No. Strand	e <sub>e</sub> e <sub>c</sub>	Span, ft.																		
			86	88	90	92	94	96	98	100	102	104	106	108	110	112					
10ST40	22	7.61 25.47	75*	69	62	56	51	46	41	36											
			1.81	1.71	1.59	1.43	1.23	0.99	0.68	0.34											
			2.15	2.16	2.15	2.12	2.09	2.04	1.98	1.91											
10ST44	24	8.11 27.86				80*	73	67	61	56	50			45	41	36					
						1.85	1.75	1.63	1.48	1.29	1.07	0.79	0.47	0.12							
						2.28	2.29	2.27	2.25	2.22	2.18	2.13	2.07	1.99							
10ST48	24	9.86 30.44					87*	80*	74*	68	63			57	52	47	42				
							1.81	1.73	1.62	1.50	1.34	1.13	0.89	0.62	0.32						
							2.11	2.13	2.14	2.14	2.12	2.09	2.05	2.01	1.95						

\*Capacity governed by ultimate strength  
f<sub>c</sub> = 5000 psi      f<sub>pu</sub> = 270,000 psi

Values below heavy line require release strengths higher than 3500 psi