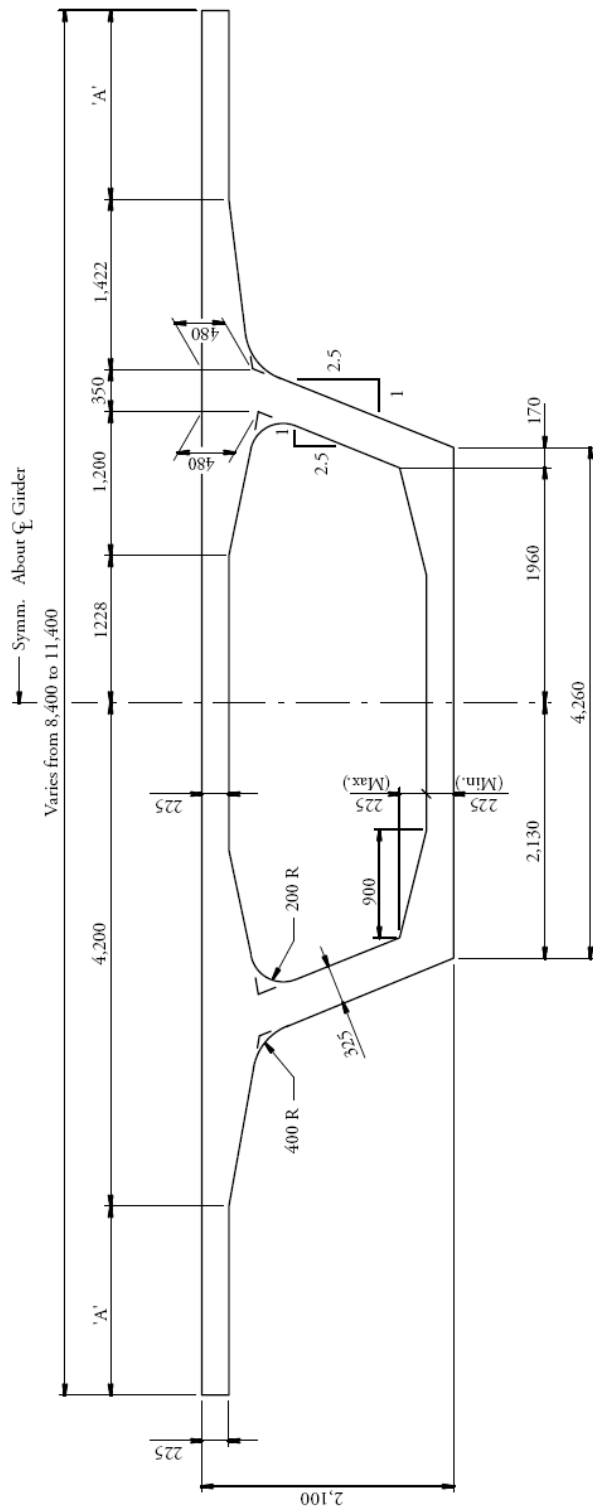


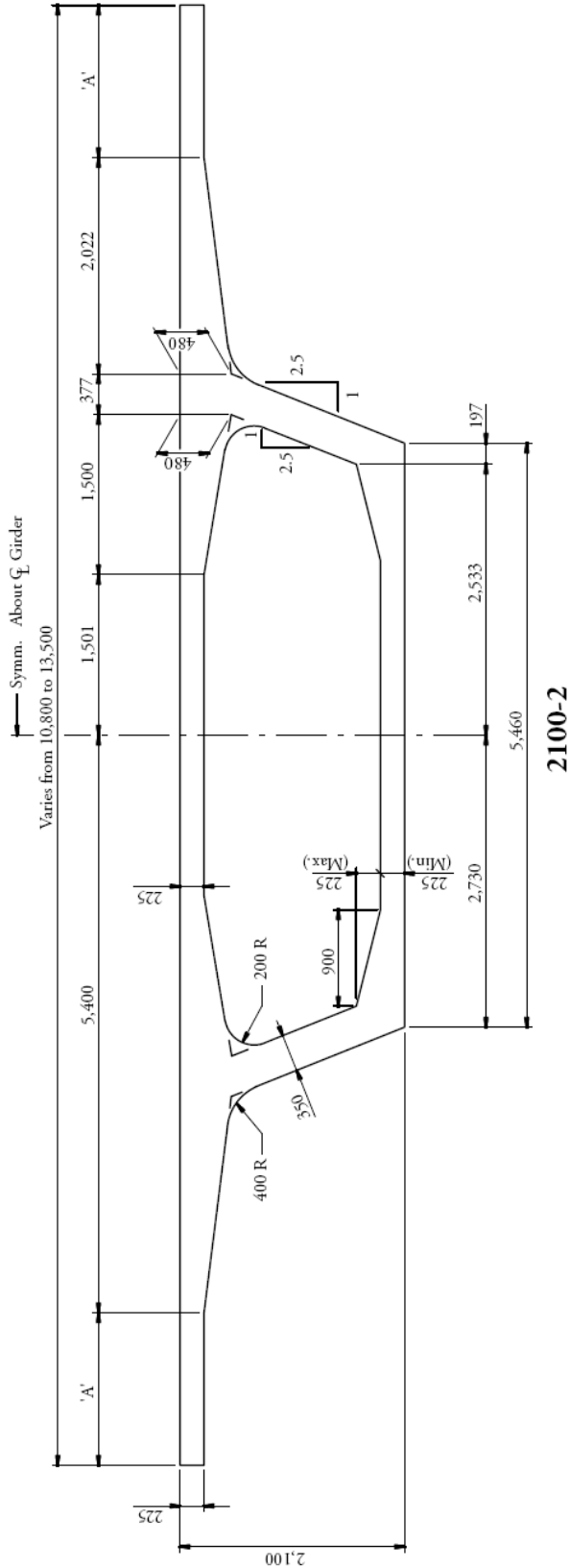
**AASHTO-PCI-ASBI Standard Segment For Span-By-Span Construction**



**2100-1**

Deck Width mm	'A' mm	Area mm <sup>2</sup>	W <sub>t</sub> /3,000 mm kN	I <sub>x</sub> m <sup>4</sup>	Y <sub>t</sub> mm
8,400	0	4,916,000	360	2,967	799
8,700	150	4,984,000	365	2,999	790
9,000	300	5,051,000	370	3,030	781
9,300	450	5,119,000	375	3,060	772
9,600	600	5,186,000	380	3,089	763
9,900	750	5,254,000	385	3,118	755
10,200	900	5,321,000	390	3,145	747
10,500	1,050	5,389,000	394	3,172	739
10,800	1,200	5,456,000	399	3,199	731
11,000	1,350	5,524,000	404	3,225	723
11,400	1,500	5,591,000	409	3,250	716

AASHTO-PCI-ASBI Standard Segment For Span-By-Span Construction



Deck Width mm	'A' mm	Area mm <sup>2</sup>	W <sub>t</sub> /3,000 mm kN	I <sub>x</sub> m <sup>4</sup>	Y <sub>t</sub> mm
11,800	0	6,050,000	443	3,685	776
11,100	150	6,117,000	448	3,715	769
11,400	300	6,185,000	453	3,744	762
11,700	450	6,252,000	458	3,772	755
12,000	600	6,320,000	463	3,800	748
12,300	750	6,387,000	468	3,827	741
12,600	900	6,455,000	472	3,854	734
12,900	1,050	6,522,000	477	3,880	728
13,200	1,200	6,590,000	482	3,906	722
13,500	1,350	6,657,000	487	3,931	715